

### FEATURES

- High LED efficacy of 110lm/W
- ENEC approved 2 channel Dali DT8 driver
- LED module can be programmed in other CCT (2700-400K)
- Dimmable to 0,1%

### COLOURS

Available colours:



Matt white RAL 9016 (XX=MW)  
 Matt grey RAL 9006 (XX=GR)  
 Matt black RAL 9005 (XX=BL)



LV-TW 80°

LV-TW 60°

### SPRINGS

Standard with CS spring (concrete/gyproc). Also available as above with WS spring (gyproc/metal).

## Fluxe 75 LV-TW

Fixed

### SPECIFICATIONS

Beam angle (FWHM)	60° / 80°
Fixture material	Housing: Die cast aluminium / Reflector glass: Polycarbonate
Environment	Indoor
IK rate	IK03
Operating temperature (Ta)	-20°C / +45°C
Safety marks	EN60598 / EN62031 / EN62471
EMC compliance	EN55015
Colour consistency (SDCM)	MacAdam step 3
Warranty	7 years * (within the European Union and the countries of the Free Trade Association for products delivered after 1 May 2015)
Safety class	I
Energy class	A

This luminaire contains built-in LED lamps. The lamps cannot be changed in the luminaire. EU 874/2012



Only when the product is installed in a closed ceiling it may be exposed to water splashes, and only on its front side.

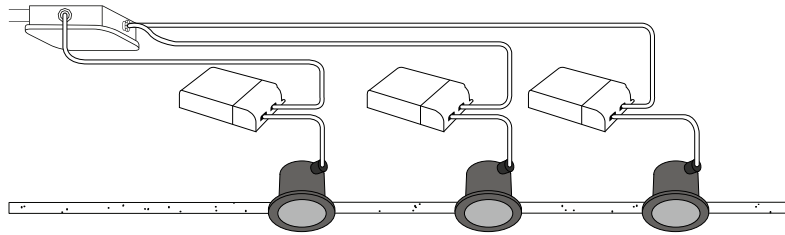
IP20

IP44

## FLUXE 75

## LV-TW 2700-6500K

Downlight incl. PSU



### ITEM SPECIFICATIONS (PART A)

Description	Item code CS	Item code WS	Type	Input	W	Lm	Lm/W	CRI (typ.)
Fluxe 75 LV-TW 2700-6500K 2150Lm 60° Dali	806A03XX4W02	806A03XX9W02	incl. PSU	220-240V	11,4	1250	110	84/94
Fluxe 75 LV-TW 2700-6500K 2150Lm 60° Casambi	806A03XX4X02	806A03XX9X02	incl. PSU	220-240V	11,4	1250	110	84/94
Fluxe 75 LV-TW 2700-6500K 2150Lm 80° Dali	806A03XX4Y02	806A03XX9Y02	incl. PSU	220-240V	11,4	1250	110	84/94
Fluxe 75 LV-TW 2700-6500K 2150Lm 80° Casambi	806A03XX4Z02	806A03XX9Z02	incl. PSU	220-240V	11,4	1250	110	84/94

### ITEM SPECIFICATIONS (PART B)

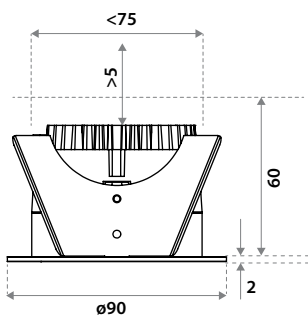
Description	UGR	Pf	Ripple	Inrush	B16A
Fluxe 75 LV-TW 2700-6500K 2150Lm 60° Dali	16.8	0.91	<3%	30mA²s	200 pcs
Fluxe 75 LV-TW 2700-6500K 2150Lm 60° Casambi	16.8	0.91	<3%	30mA²s	200 pcs
Fluxe 75 LV-TW 2700-6500K 2150Lm 80° Dali	21.2	0.91	<3%	30mA²s	200 pcs
Fluxe 75 LV-TW 2700-6500K 2150Lm 80° Casambi	21.2	0.91	<3%	30mA²s	200 pcs

### ITEM SPECIFICATIONS (PART C)

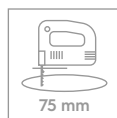
Description	Safety class	Energy class	Weight	Dimensions single carton	Quantity per carton	Expected lifespan (25°C)		
						L70B50	L80B50	L90B50
Fluxe 75 LV-TW 2700-6500K 2150Lm 60° Dali	I	A	429 gr	160x107x100 mm	18 pcs	>70.000 hrs	>70.000 hrs	>37.000 hrs
Fluxe 75 LV-TW 2700-6500K 2150Lm 60° Casambi	I	A	429 gr	160x107x100 mm	18 pcs	>70.000 hrs	>70.000 hrs	>37.000 hrs
Fluxe 75 LV-TW 2700-6500K 2150Lm 80° Dali	I	A	429 gr	160x107x100 mm	18 pcs	>70.000 hrs	>70.000 hrs	>37.000 hrs
Fluxe 75 LV-TW 2700-6500K 2150Lm 80° Casambi	I	A	429 gr	160x107x100 mm	18 pcs	>70.000 hrs	>70.000 hrs	>37.000 hrs

All values are measured at 230V (+/- 7%)

### DIMENSIONS

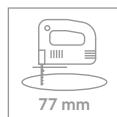


### HOLE SIZE



#### CS springs (concrete/gyproc) for 5-60mm material thickness

CS springs (except Pointerseries) can be used in almost any type of ceiling. Support plates should definitely be used when mounting big downlights in soft mineral ceilings. The spring's slightly bent edge prevents the ceiling material from getting damaged. We recommend making the hole in the ceiling material 10 mm wider than the specified cutout diameter (assuming this doesn't exceed the maximum diameter).



#### WS springs (gyproc/metal) for 1-40mm material thickness

WS springs are traditional springs that are eminently suited for soft ceiling tiles in combination with support plates (that cannot be taken out of the ceiling). WS springs are not suitable for concrete ceilings and soft ceiling tiles without support plates.