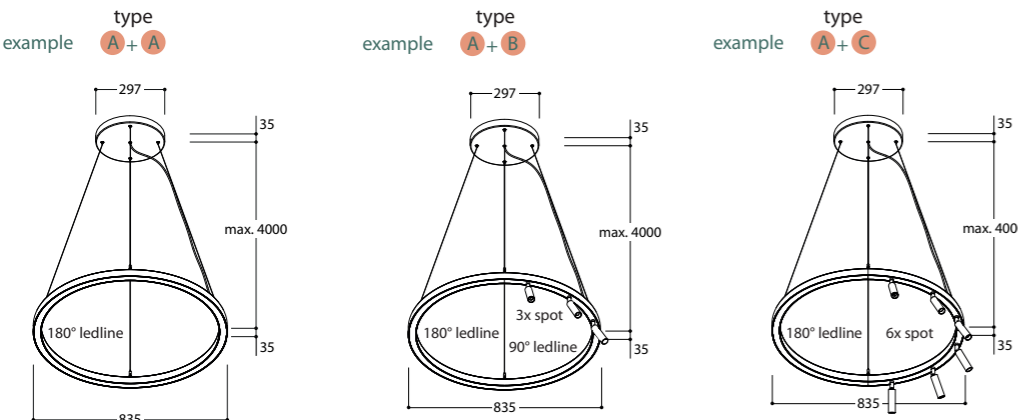


ref RINGO SUSPENSION

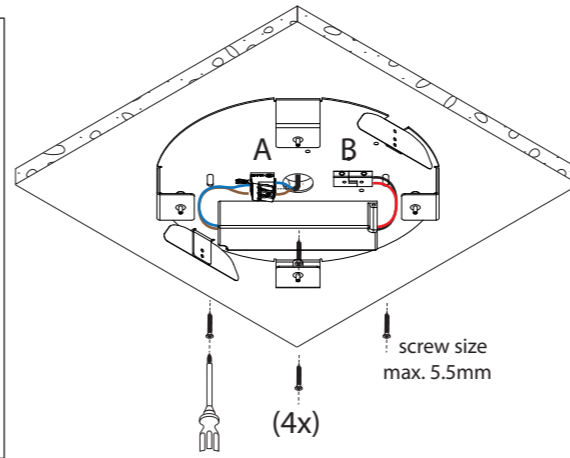
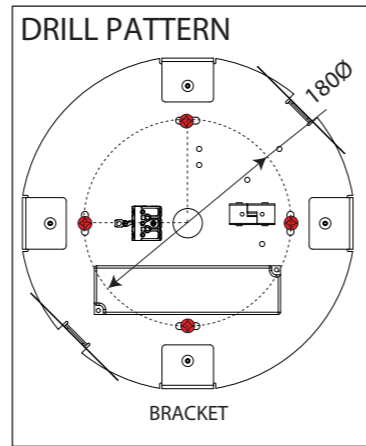
			Weight (kg)	type
297027	RINGO 835 180° LEDLINE 2700K	TEXTURED WHITE	1,6	A
297037	RINGO 835 180° LEDLINE 3000K	TEXTURED WHITE	1,6	A
297047	RINGO 835 180° LEDLINE 4000K	TEXTURED WHITE	1,6	A
297026	RINGO 835 180° LEDLINE 2700K	TEXTURED BLACK	1,6	A
297036	RINGO 835 180° LEDLINE 3000K	TEXTURED BLACK	1,6	A
297046	RINGO 835 180° LEDLINE 4000K	TEXTURED BLACK	1,6	A
297127	RINGO 835 90° LEDLINE 2700K + 90° 3x M10	TEXTURED WHITE	2,2	B
297137	RINGO 835 90° LEDLINE 3000K + 90° 3x M10	TEXTURED WHITE	2,2	B
297147	RINGO 835 90° LEDLINE 4000K + 90° 3x M10	TEXTURED WHITE	2,2	B
297126	RINGO 835 90° LEDLINE 2700K + 90° 3x M10	TEXTURED BLACK	2,2	B
297136	RINGO 835 90° LEDLINE 3000K + 90° 3x M10	TEXTURED BLACK	2,2	B
297146	RINGO 835 90° LEDLINE 4000K + 90° 3x M10	TEXTURED BLACK	2,2	B
297227	RINGO 835 180° 6x M10	TEXTURED WHITE	2,6	C
297226	RINGO 835 180° 6x M10	TEXTURED BLACK	2,6	C
297307	RINGO BASE 48W	TEXTURED WHITE	1,6	
297306	RINGO BASE 48W	TEXTURED BLACK	1,6	
297317	RINGO BASE 36W LEDLINE + 12W SPOT	TEXTURED WHITE	1,7	
297316	RINGO BASE 36W LEDLINE + 12W SPOT	TEXTURED BLACK	1,7	
297327	RINGO BASE 24W LEDLINE + 24W SPOT	TEXTURED WHITE	1,8	
297326	RINGO BASE 24W LEDLINE + 24W SPOT	TEXTURED BLACK	1,8	
297337	RINGO BASE 48W 1-10V DIMM	TEXTURED WHITE	1,6	
297336	RINGO BASE 48W 1-10V DIMM	TEXTURED BLACK	1,6	
297347	RINGO BASE 36W LEDLINE + 12W SPOT 1-10V DIMM	TEXTURED WHITE	1,7	
297346	RINGO BASE 36W LEDLINE + 12W SPOT 1-10V DIMM	TEXTURED BLACK	1,7	
297357	RINGO BASE 24W LEDLINE + 24W SPOT 1-10V DIMM	TEXTURED WHITE	1,8	
297356	RINGO BASE 24W LEDLINE + 24W SPOT 1-10V DIMM	TEXTURED BLACK	1,8	
297901	SUSPENSION SET L=4m RINGO 2p	WHITE	0,3	
297902	SUSPENSION SET L=4m RINGO 2p	BLACK	0,3	
297911	SUSPENSION SET L=4m RINGO 4p	WHITE	0,5	
297912	SUSPENSION SET L=4m RINGO 4p	BLACK	0,5	



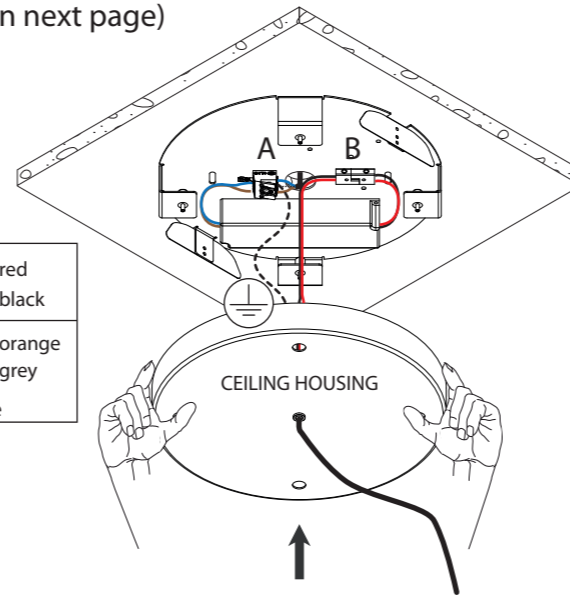
SPECIFICATIONS

Lamp type	ledline = curved led array, spot = lux.m
Symbol	
CCT	2700-3000-4000K
Luminous flux	ledline = 2080lm per 180° (A), per spot = 400lm
Power	ledline = 22,4 per 180° (A), per spot = 3.82W
Voltage	230V 50-60Hz AC
CRI	ledline = 80, spot = 90
SDCM	3
Beam angle	ledline = lambertian, spot = 36°
Orientability	only for spot = 359°rotating & 90°tilting
Gear	converter incorporated in base
Dimmability	depending on base
Safe distance to object	- 0,1m
Class / IP	IP20
Application	interior - ceiling suspended

- ① .MOUNT BRACKET TO CEILING VIA DRILL PATTERN
 .MAKE PRIMARY ELECTRICAL CONNECTION IN CONNECTOR A (3p or 5p for 1-10V dimm)
 (see wiring schemes on next page & LEAVE UNSWITCHED)

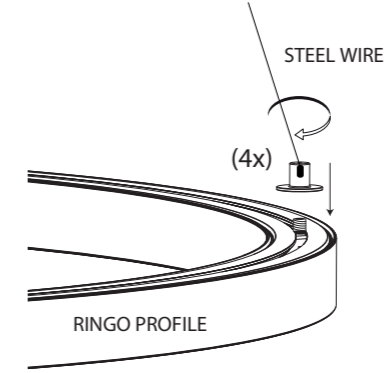


- ⑤ .MAKE SECONDARY ELECTRICAL CONNECTION(S) IN CONNECTOR(S) B
 .MAKE EARTHING CONNECTION FROM HOUSING IN CONNECTOR A
 (see wiring schemes on next page)

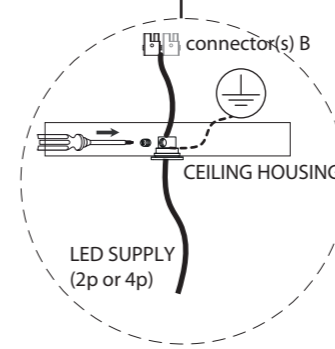


- ⑥ PUSH CEILING HOUSING GENTLY ONTO THE CEILING BRACKET UNTIL IT SNAPS OVER THE 2 LEAF SPRINGS, APPLY LITTLE TWIST UNTIL CEILING HOUSING IS FITTED PROPERLY AGAINST CEILING

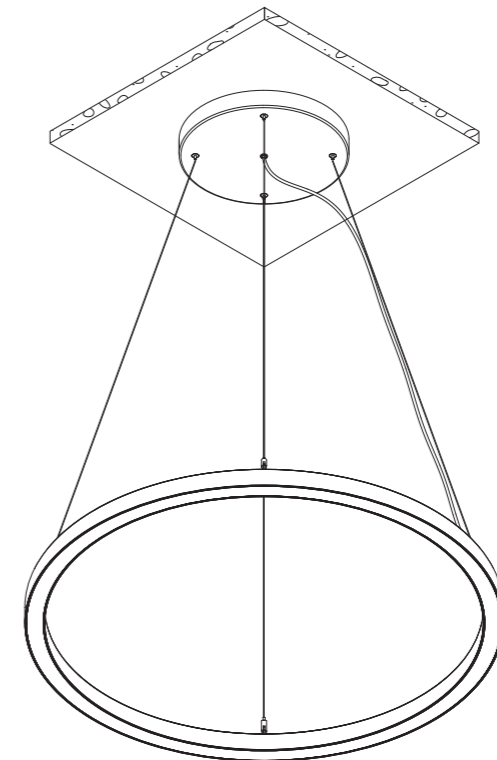
- ② PREPARE SUSPENSION WIRES (4x @90°)
 AND SCREW KNURLED KNOBS TO BRASS INSERTS (M5)
 ON TOP OF RINGO PROFILE



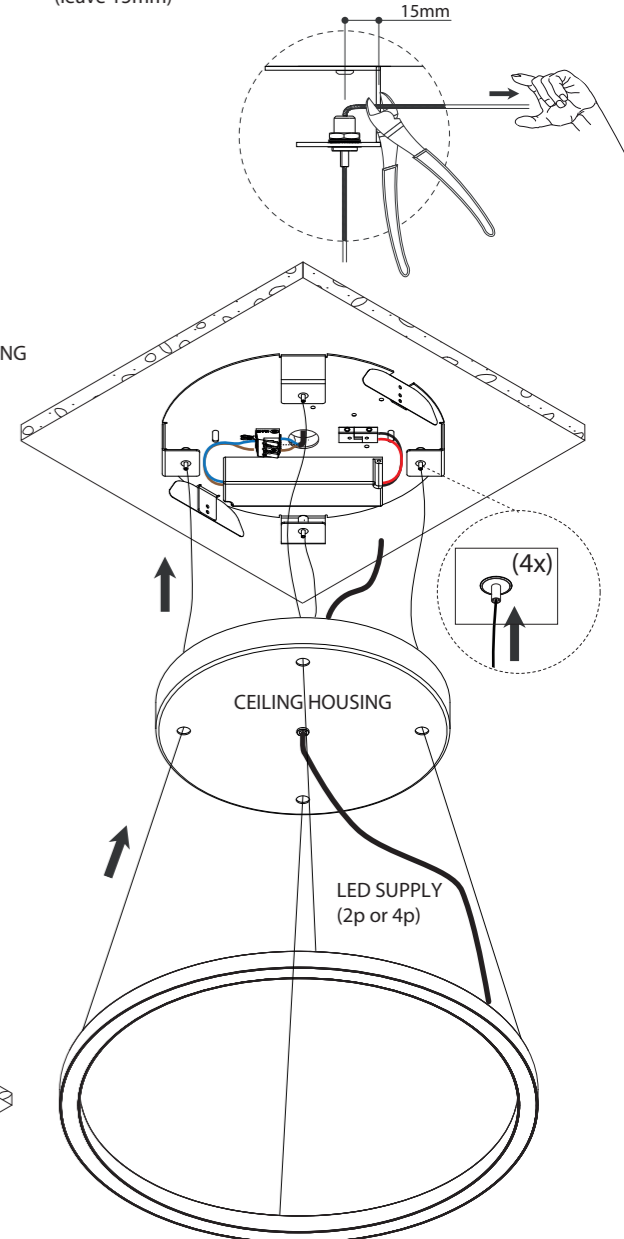
- ③ ADJUST LED SUPPLY CABLE LENGTH AND FASTEN STRAIN RELIEF ON INSIDE OF CEILING HOUSING



- ⑦ SWITCH ON MAINS POWER SUPPLY (ORIENT SPOT LUMINAIRES)



- ④ .PUSH 4 STEEL WIRES THROUGH HOLES IN CEILING HOUSING AND INTO WIRE CLAMPS ON BRACKET
 .FINE ALIGN RINGO PROFILE HORIZONTALLY
 .CUT STEEL WIRES ONCE SUSPENSION HEIGHT IS DETERMINED (leave 15mm)



ALWAYS DISCONNECT MAINS POWER SUPPLY FROM CONVERTER BEFORE SWITCHING "ON" LED LUMINAIRES TO PREVENT HOT PLUGGING ISSUES

INSTALLATIE- EN ONDERHOUDSRICHTLIJNEN m.b.t. FABRIEKSGARANTIE.
 1. DE VERBINDINGEN EN HET UITTESTEN VAN DEZE TOESTELLEN DIENEN ALTIJD TE GEBEUREN DOOR EEN ERKENNED ELECTRO-INSTALLATEUR.
 2. DEZE VERLICHTINGSTOESTELLEN MOETEN GE-INSTALLEERD, VERBONDEN EN GETEST WORDEN VOLGENS DE NATIONAAL GELDENDE REGLEMENTEN OP DE ELECTRICHE INSTALLATIES (BELGIE?, A.R.E.I., DUISLAND: DIN VDE 0100 TEIL 559 A2, ...; DEZE OPSOMMING IS LOUTER INFORMATIEF)
 3. DE TECHNISCHE BIJSLUITER MOET GEZIEN WORDEN ALS ONDERDEEL VAN DE ALGEMENE VERKOOPVOORWAARDEN VAN TAL N.V.
 4. DE ELECTRO-INSTALLATEUR IS VERANTWOORDELIJK VOOR HET GEBRUIKEN VAN VOORSCHAKELAPPARATUUR DIE VOLDOET AAN DE GELDENDE CE EN EMC NORMEN.
 5. VERRANG DE LAMP (-EN) ALTIJD MET DE GROOTSTE ZORG. ZE IS (ZIJN) UITERST BREEKBAAR.
 6. OPGEPAST: PLAATS NOOIT DE LAMP MET BLOTE HANDEN, GEBRUIK ALTIJD EEN DOEK!

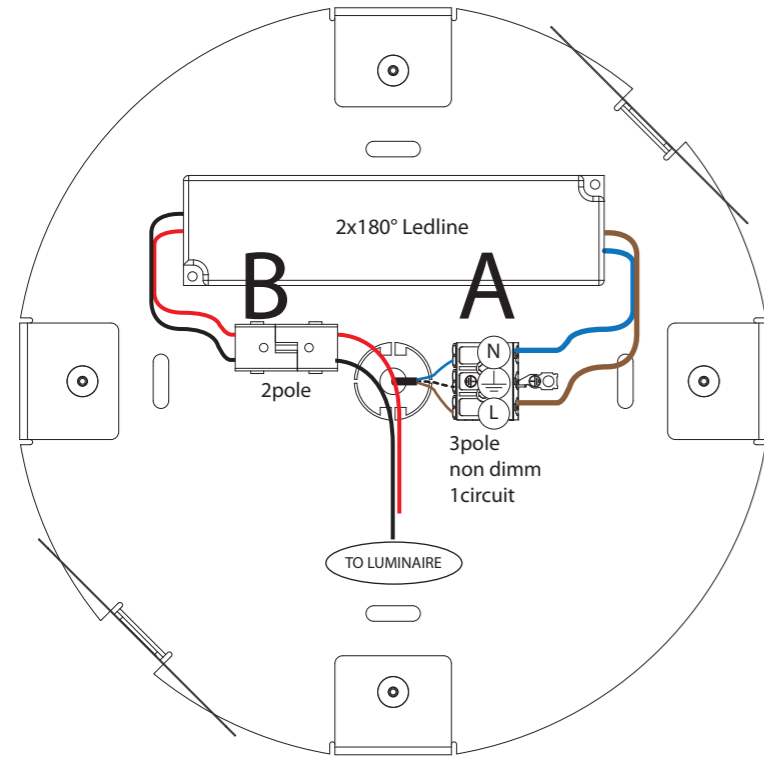
INSTRUCTIONS D'INSTALLATION ET D'ENTRETIEN A RESPECTER VIS-A-VIS DE LA GARANTIE.
 1. LE PLACEMENT, LE RACCORDEMENT ET L'ESSAI DE CET APPAREIL DOIVENT TOUJOURS EN-TRE EFFECTUES PAR UN INSTALLATEUR ELECTRICIEN AGREE.
 2. LES LUMINAIRES DOIVENT ETRE INSTALLEZ, BRANCHEZ ET TESTES SUIVANT LE REGLEMENT NATIONAL SUR LES INSTALLATIONS ELECTRIQUES EN VIGUEUR. (BELGIQUE, A.R.E.I., ALLEMAGNE: DIN VDE 0100 TEIL 559 A2, ...; CETTE ENUMERATION EST INDICATIVE)
 3. CE MANUEL D'INSTALLATION TECHNIQUE REPRESENTE UNE PARTIE DES CONDITIONS GENERALES DE VENTE DE TAL N.V.
 4. L'ELECTRO-INSTALLATEUR EST RESPONSABLE POUR L'USAGE DE BALLASTS, TRANSFO'S, ...CONFORMES AUX NORMES CE ET EMC EN VIGUEUR.
 5. REMPLACEZ TOUJOURS L'AMPOULE (LES AMPOULES) AVEC PRUDENCE; ELLE(-S) EST (SONT) TRES FRAGILE (-S).
 6. ATTENTION: NE JAMAIS REMPLACER L'AMPOULE AUX MAINS NUES, UTILISEZ TOUJOURS UN CHIFFON!

INSTALLATION AND MAINTENANCE INSTRUCTIONS IN VIEW OF THE MANUFACTURER'S GUARANTEE.
 1. THE CONNECTION AND TESTING OF THE DEVICES SHOULD ALWAYS BE PERFORMED BY A RECOGNIZED ELECTRICIAN.
 2. THESE LIGHTING DEVICES NEED TO BE INSTALLED, CONNECTED AND TESTED FOLLOWING THE OFFICIAL NATIONAL INSTRUCTION GUIDE FOR ELECTRICAL INSTALLATIONS (BELGIUM, A.R.E.I., GERMANY: DIN VDE 0100 TEIL 559 A2, ...; THIS ENUMERATION IS JUST AN INDICATION)
 3. THIS TECHNICAL ENCLOSURE NEEDS TO BE ADDED TO THE GENERAL SALES CONDITION OF THE TAL N.V.
 4. THE ELECTRO TECHNICIAN IS RESPONSIBLE TO USE BALLASTS, TRANSFORMERS, ...WHICH MEET THE VALID CE AND EMC RULES.
 5. ALWAYS REPLACE THE LAMP (-S) WITH UTMOST CAUTIONSNESS, THE LAMP (-S) IS (ARE) VERY FRAGILE.
 6. ATTENTION: NEVER REPLACE THE LAMP WITH BARE HANDS, ALWAYS USE A CLOTH!

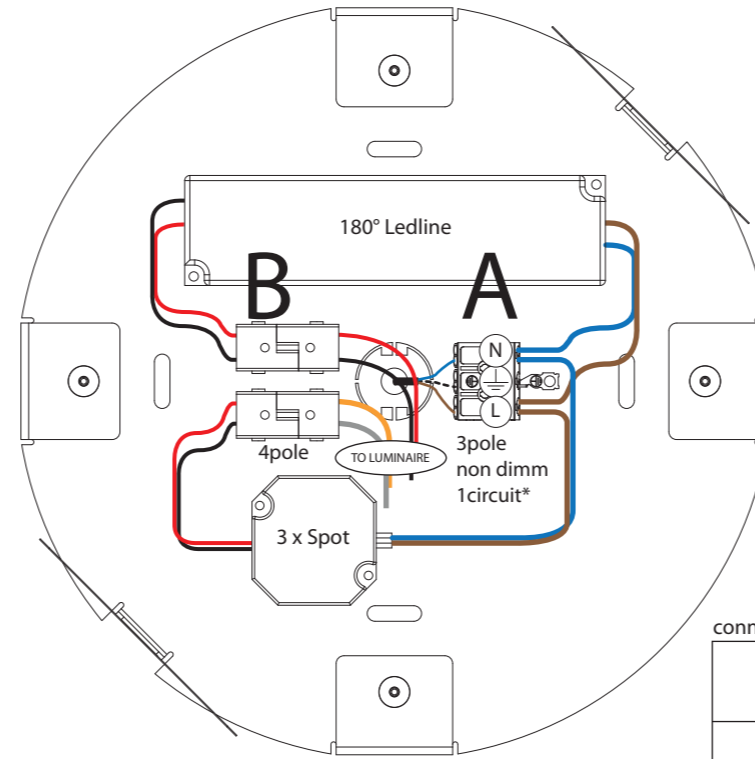
MONTAGE- UN UNTERHALT INSTRUCTIONS ZU BEACHTEN MIT BEZUG AUF DER GARANTIE.
 1. DIE MONTAGE, DER ANSCHLUSS UND DAS AUSTESTEN DER LEUCHTEN SOLL IMMER VON EINEM ZUSTAENDIGEN ELECTRO-INSTALLATEUR AUSGEFUHRT WERDEN.
 2. DIESE LEUCHTEN MUSSEN INSTALLIERT, ANGESCHLOSSEN UND GETESTET WERDEN NACH DER ALLGEMEINEN NAZIONALEN REGLEMENTATION UBER DIE ELEKTRISCHE INSTALLATIONEN (BELGIEN, A.R.E.I., DEUTSCHLAND: DIN VDE 0100 TEIL 559 A2, ...; DIESE AUFSTELLUNG GESCHICHT DURCH EXEMPLATIVEN TITEL UND KANN NICHT ALS LIMITATIV ODER EXHAUTIV BETRACHTET WERDEN).
 3. DIESE TECHNISCHE GEBRAUCHSANWEISUNG GEHORT ZU DEN ALLGEMEINEN VERKAUFBSBEDINGUNGEN VON TAL N.V.
 4. DER ELEKTRO-INSTALLATEUR IST VERANTWORTLICH FUR DAS VERWENDEN VON CE UND EMC GEPRUFTE VORSCHALTGERATE.
 5. DIE LAMPE(-N) SOLL(-EN) IMMER SEHR VORSICHTIG ERSAETZT WERDEN.
 6. VORSICHT: MAN DARF NIE DIE LAMPE MIT DEN NACKTEN HAENDEN BERUHREN, MAN SOLL IMMER EINEN TUCH BENUTZEN!

6 POSSIBLE WIRING SCHEMES FOR RINGO BASES:

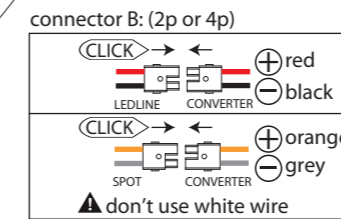
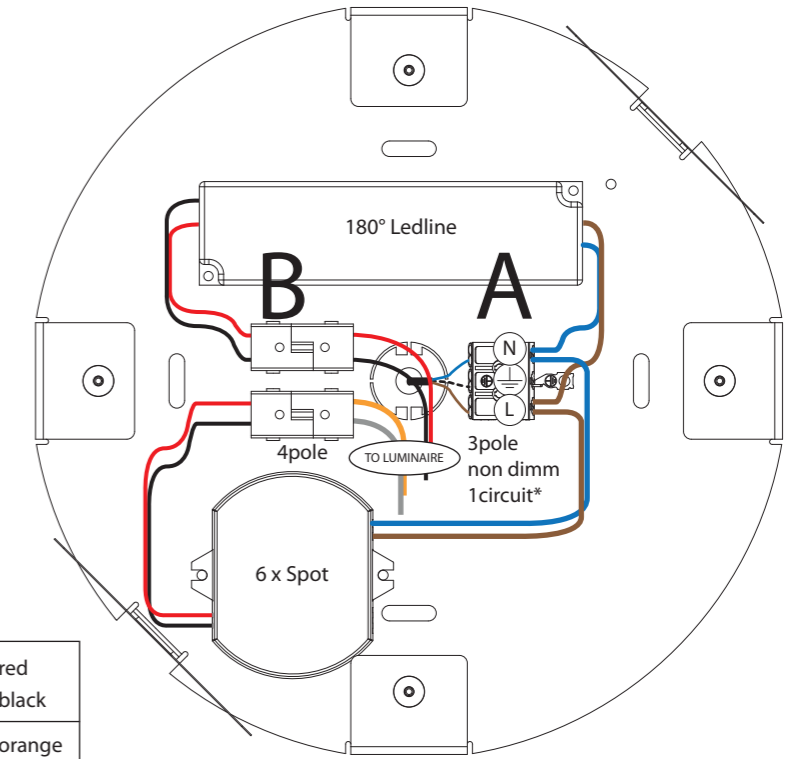
29730X
 Ringo Base 48W Ledline



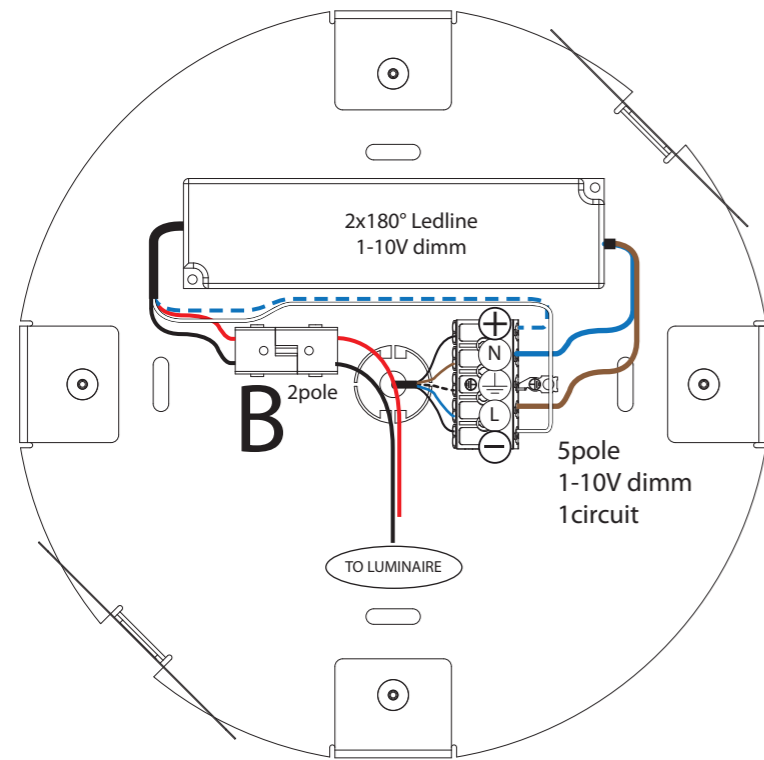
29731X
 Ringo Base 36W Ledline + 12W Spot



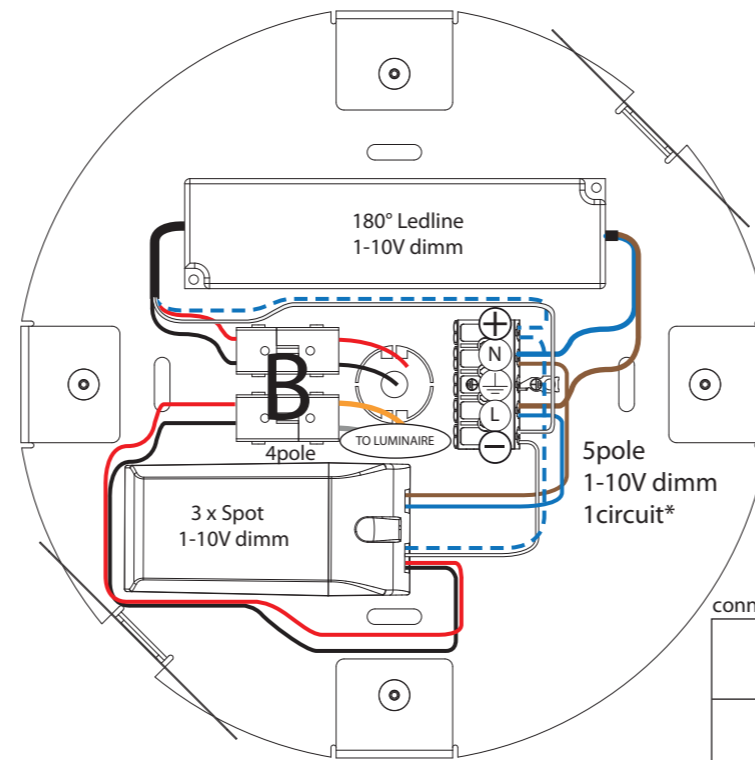
29732X
 Ringo Base 24W Ledline + 24W Spot



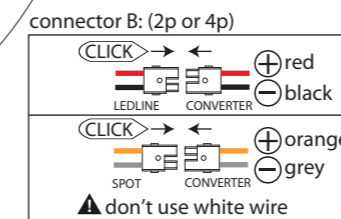
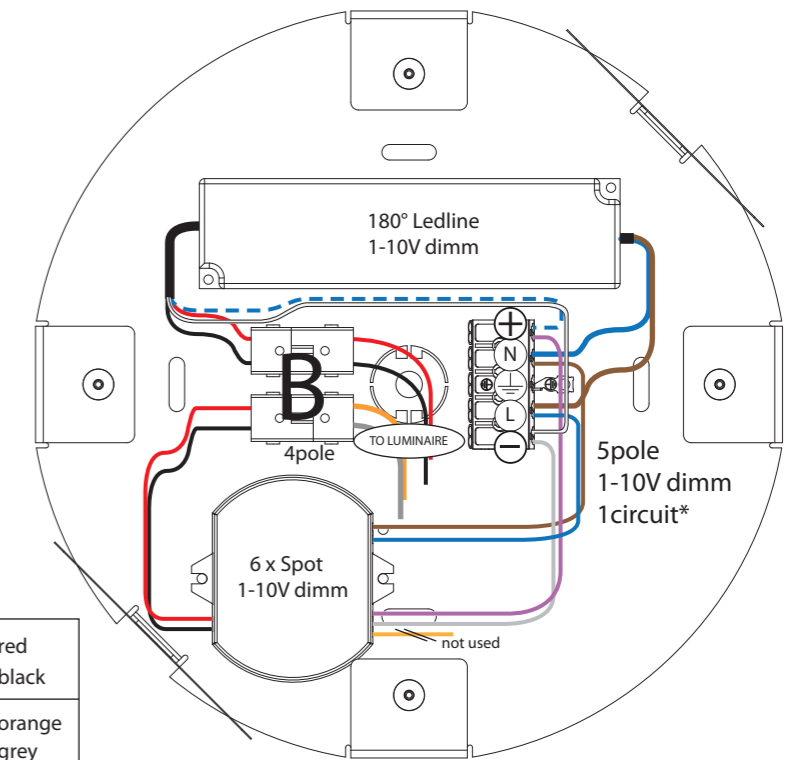
29733X
 Ringo Base 48W Ledline 1-10V DIMM



29734X
 Ringo Base 36W Ledline + 12W Spot 1-10V DIMM



29735X
 Ringo Base 24W Ledline + 24W Spot 1-10V DIMM



! *extra primary circuit is possible on request

! *extra primary circuit is possible on request